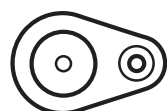


'Atom 4'

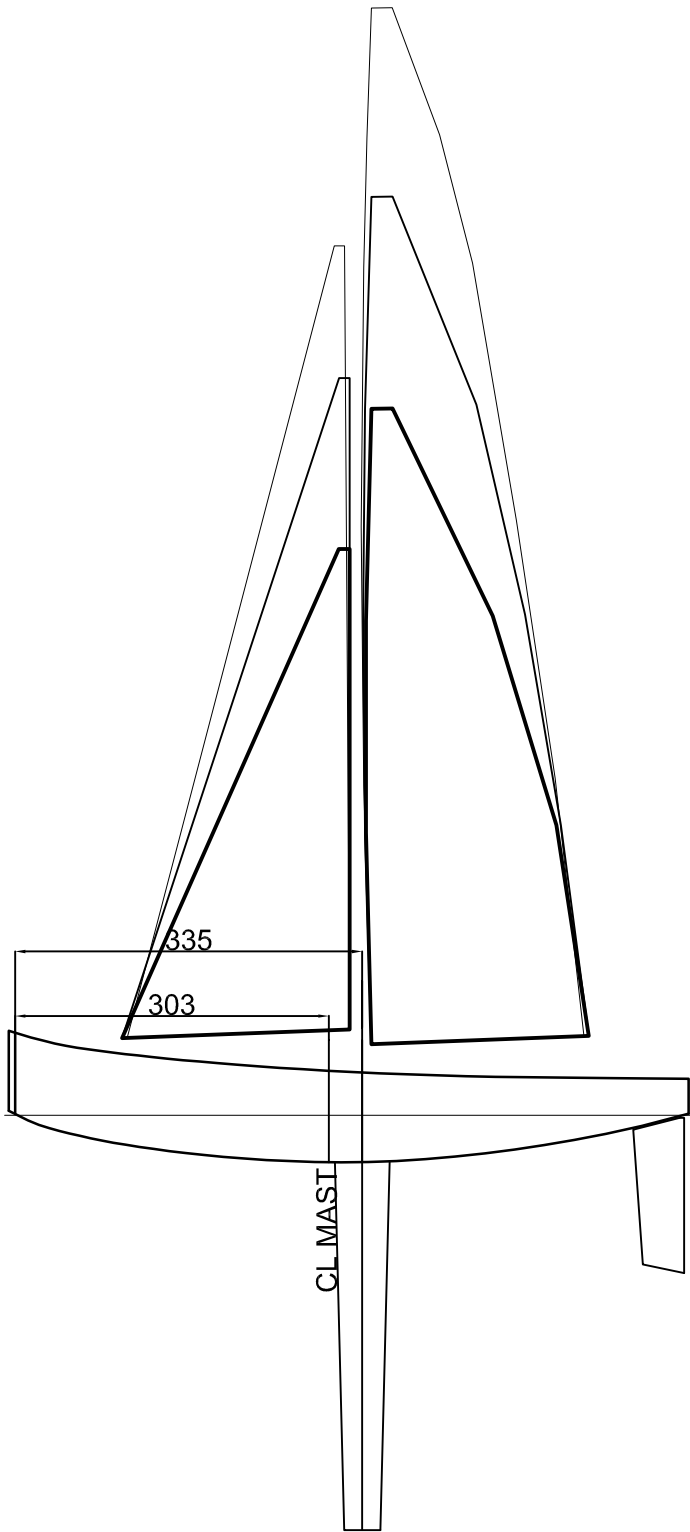
RG-65 Class Yacht

By

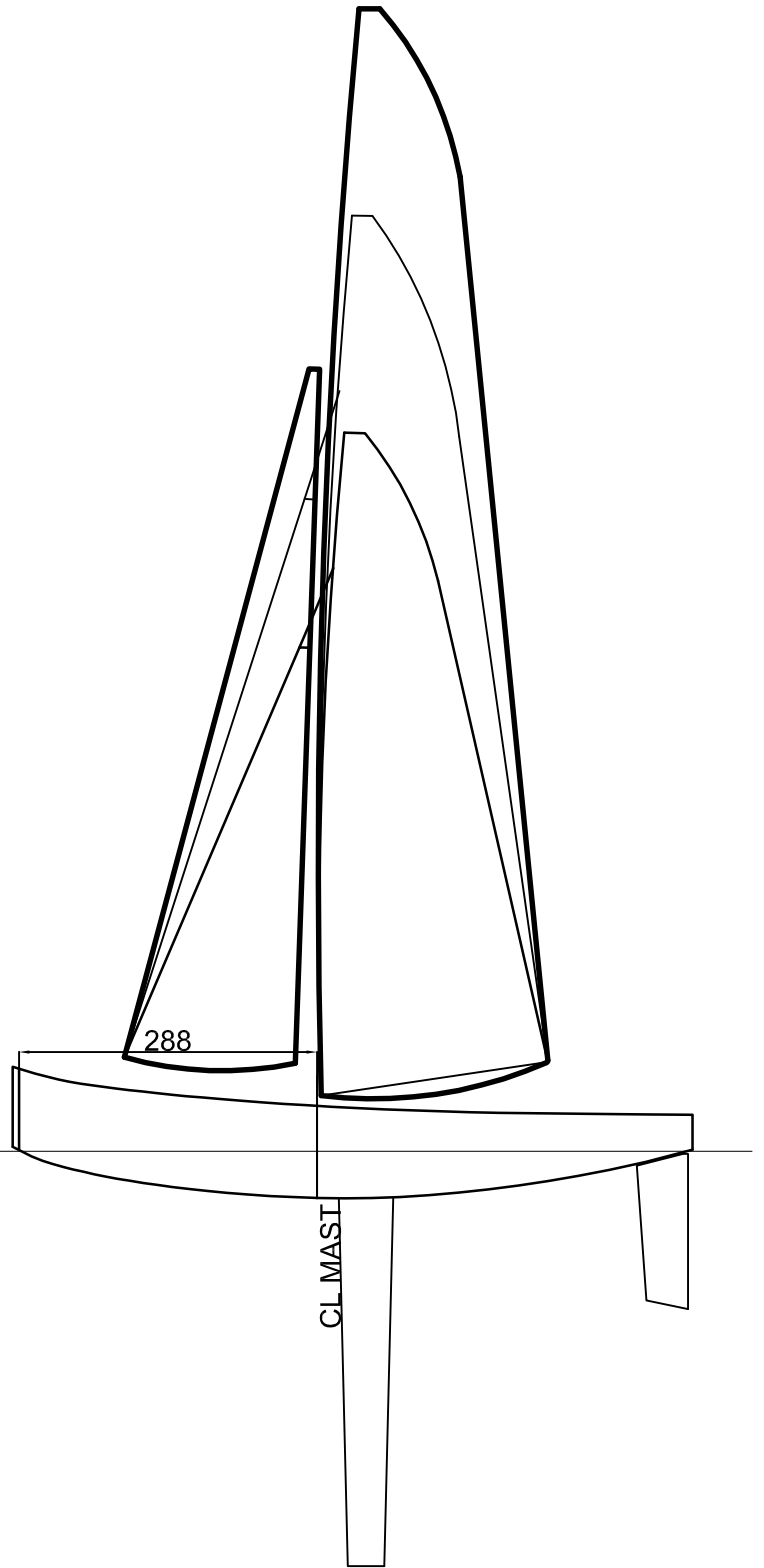
Mark Dicks



RADIO**SAILING**SHOP.COM.AU



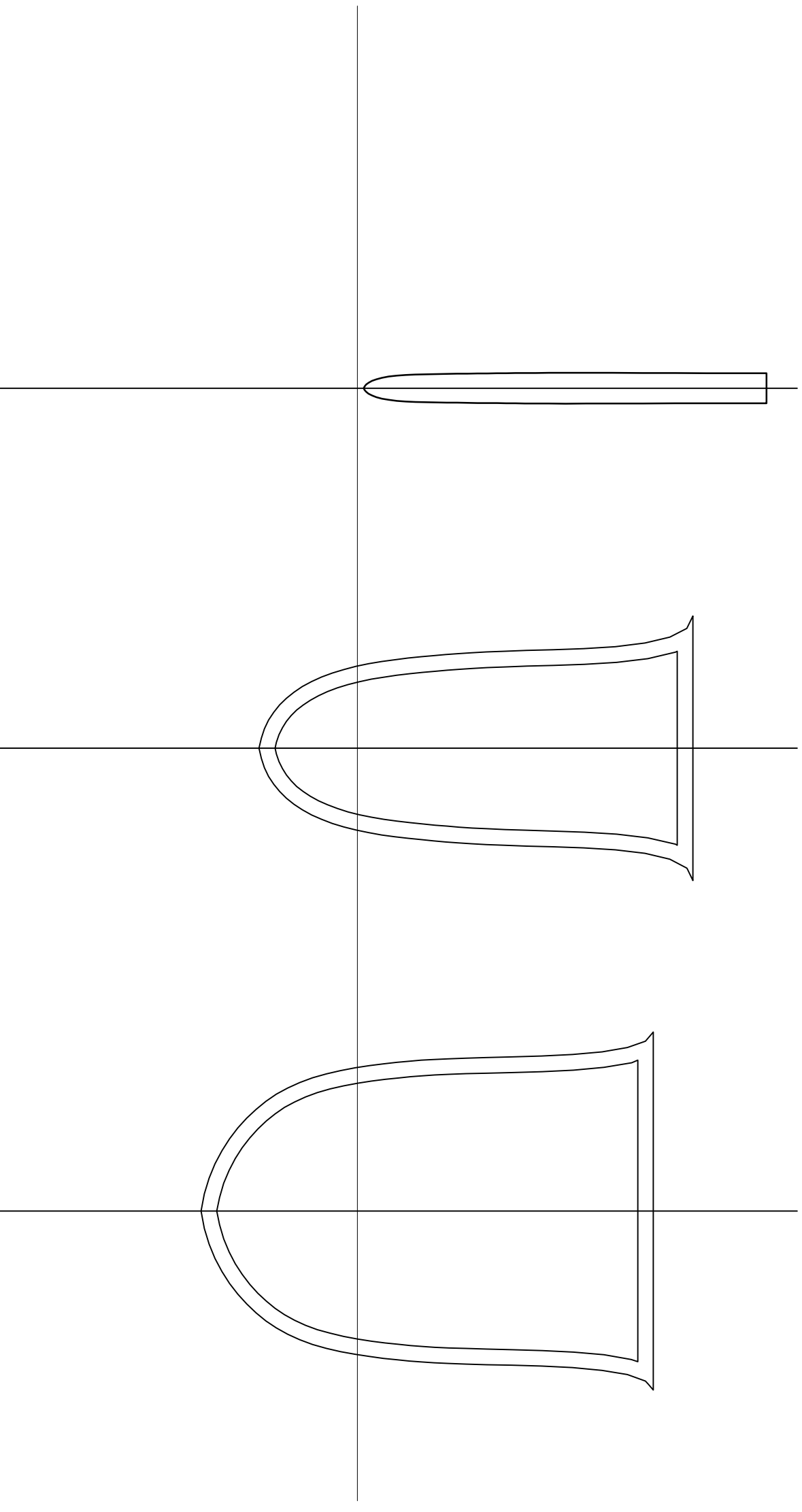
CONVENTIONAL RIG



SWING RIG

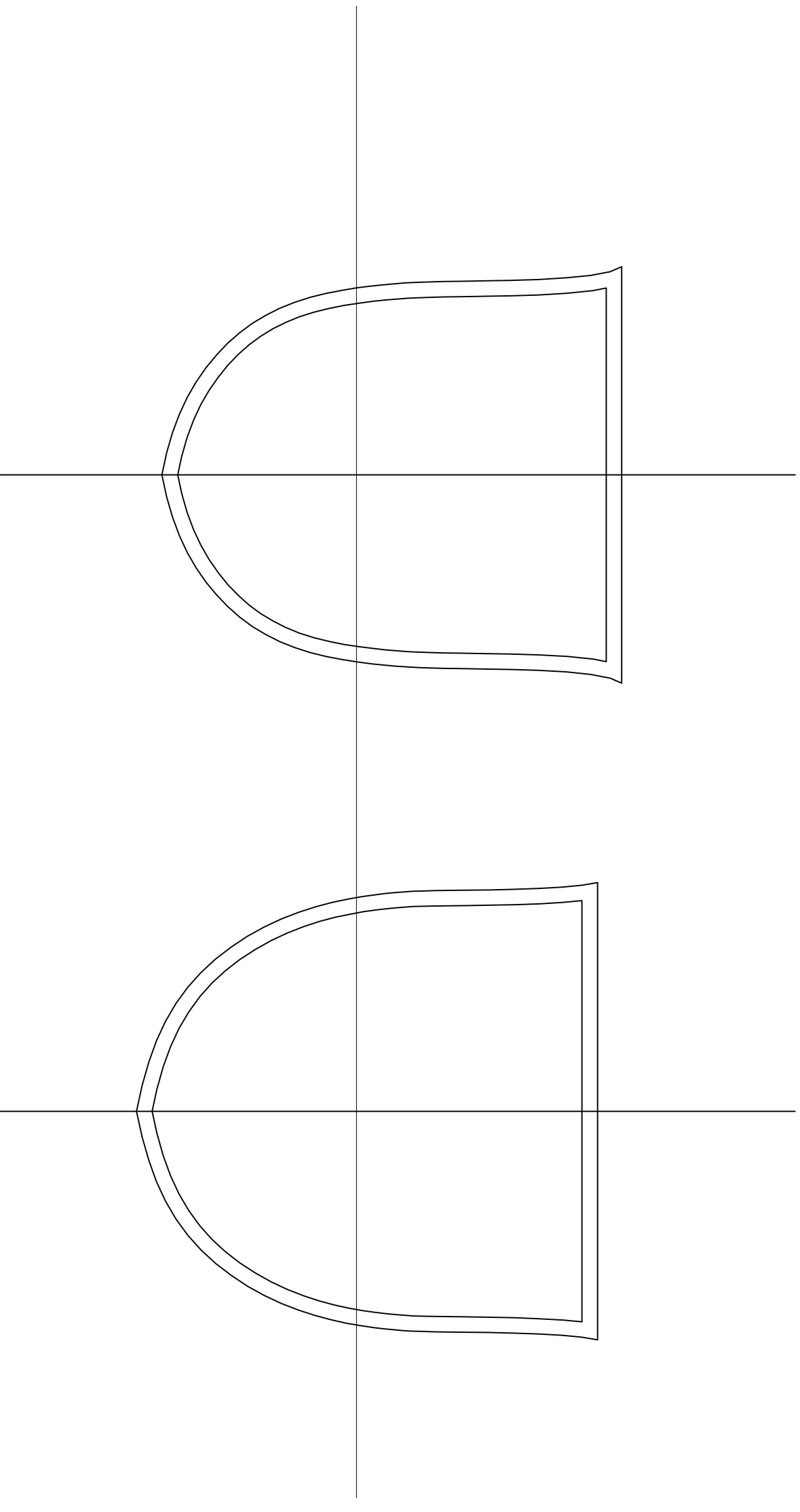


RADIO**SAILING**SHOP.COM.AU



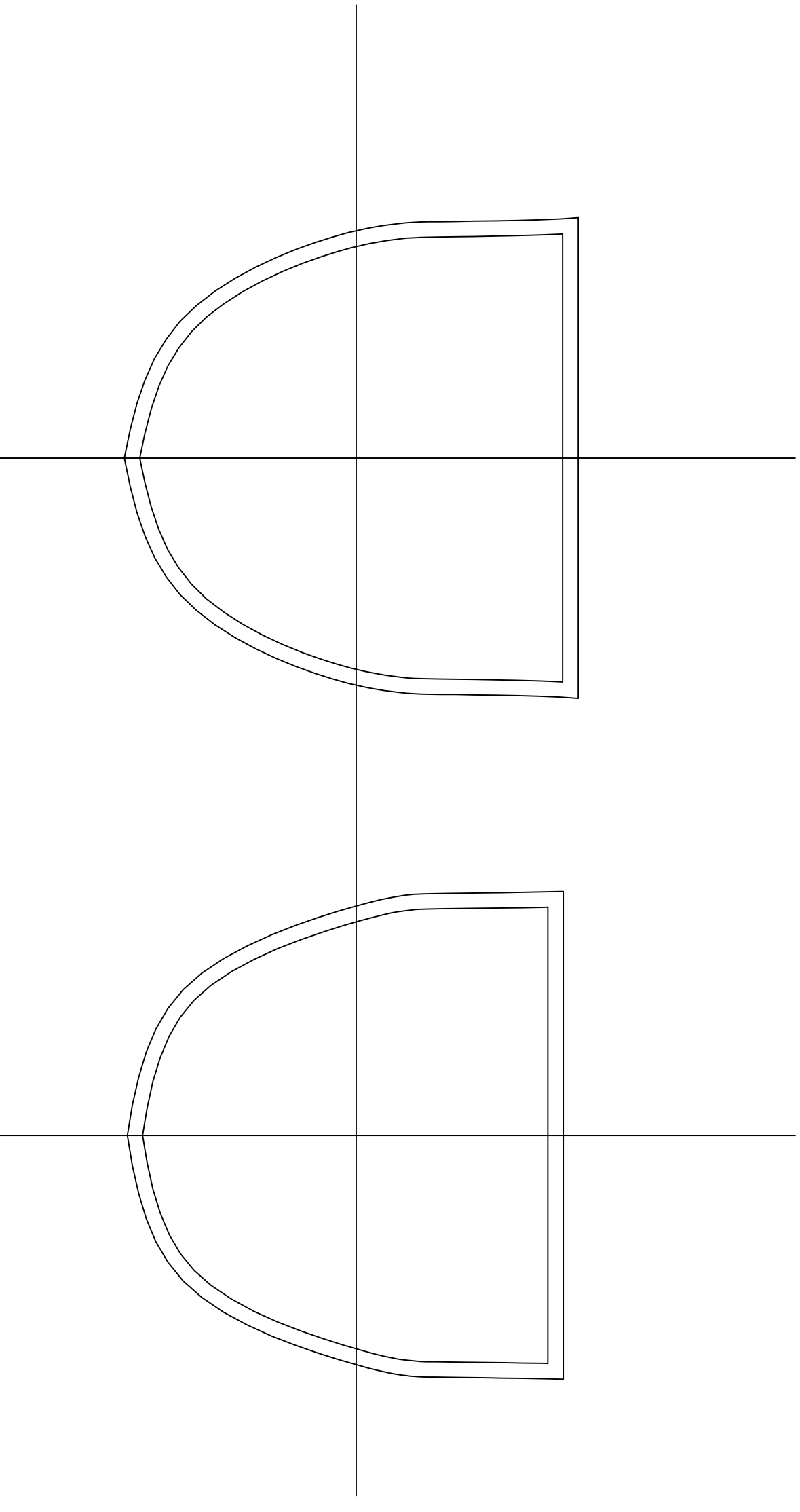


RADIO**SAILING**SHOP.COM.AU



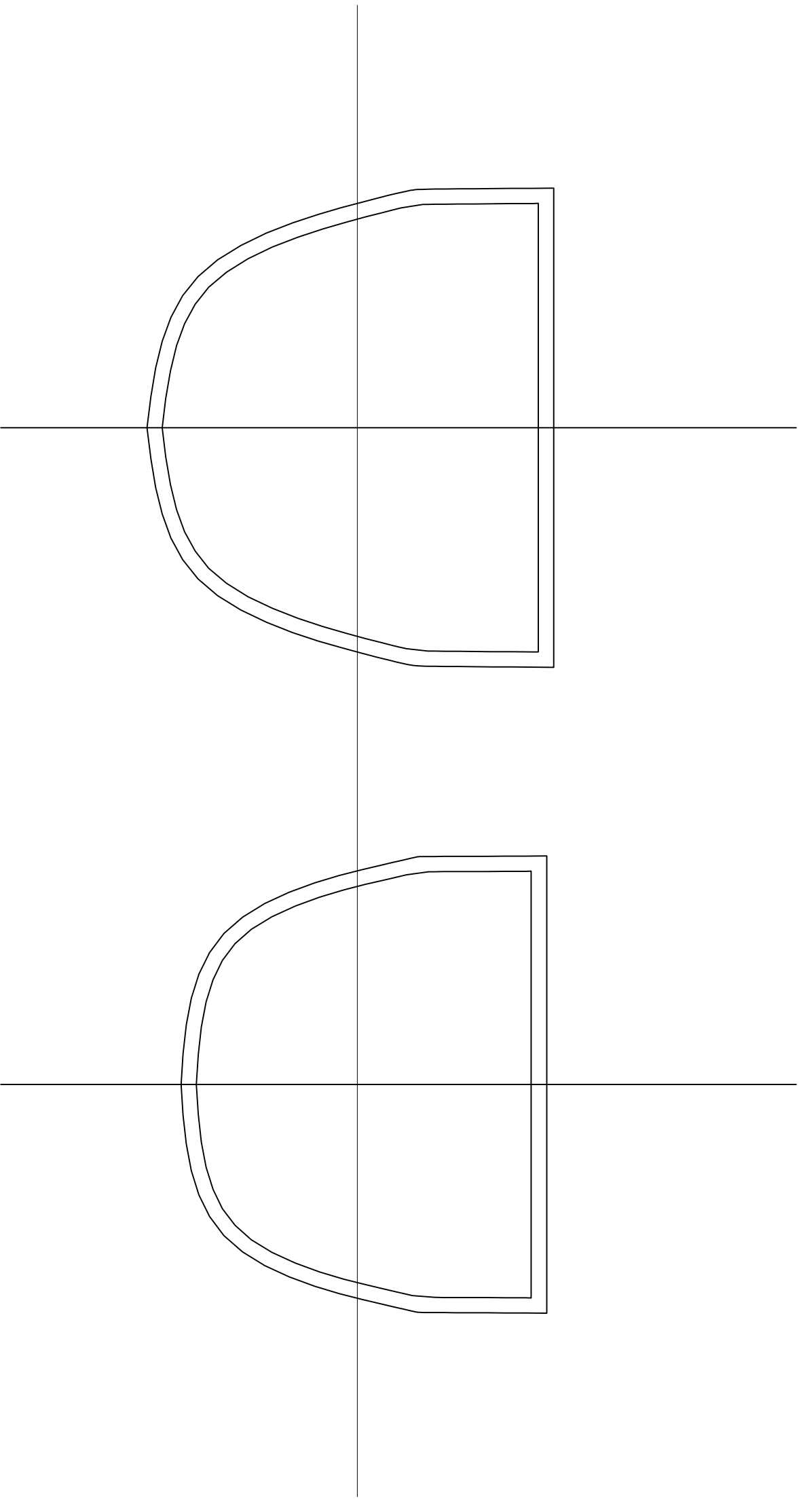


RADIO**SAILING**SHOP.COM.AU



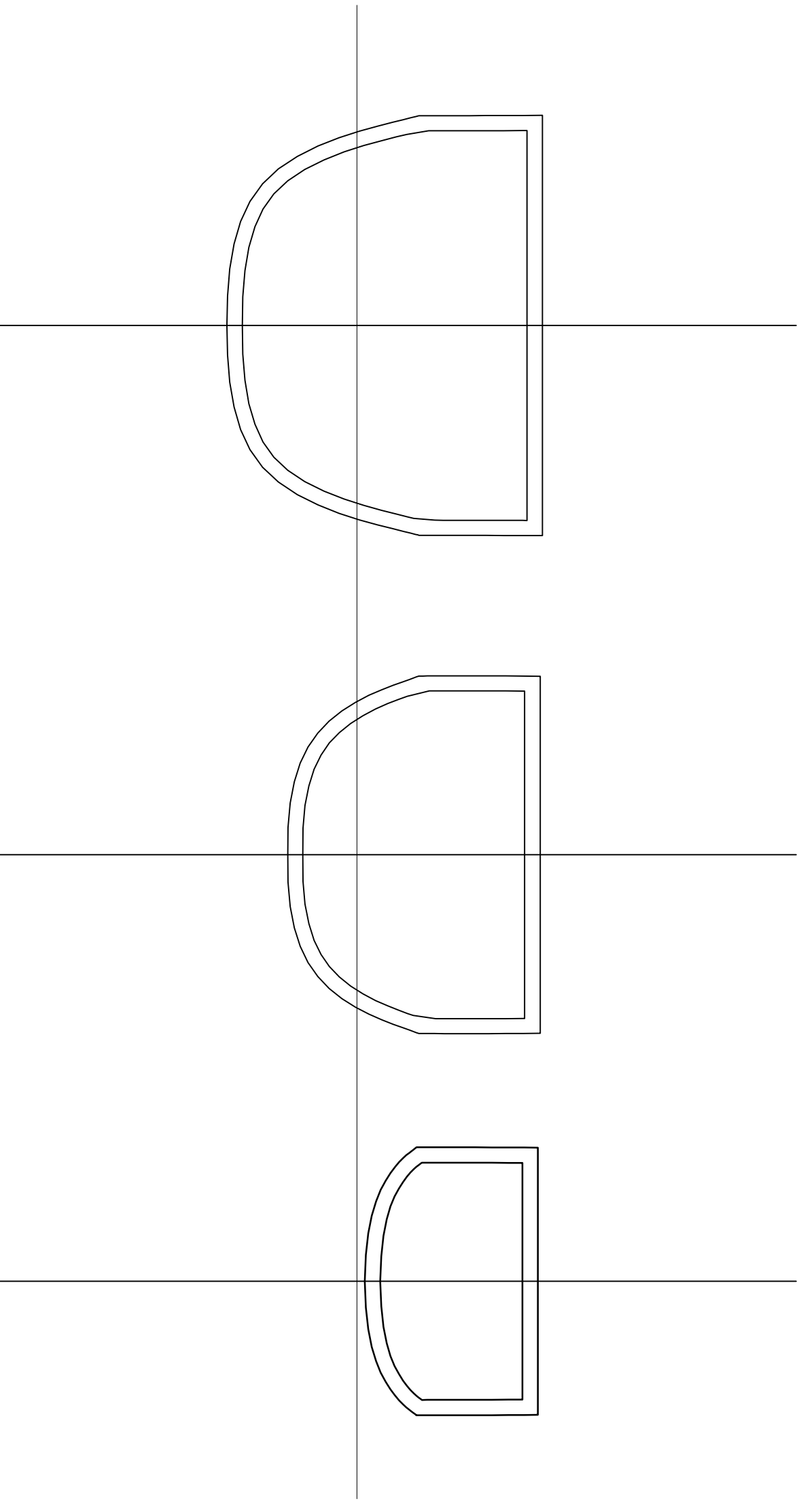


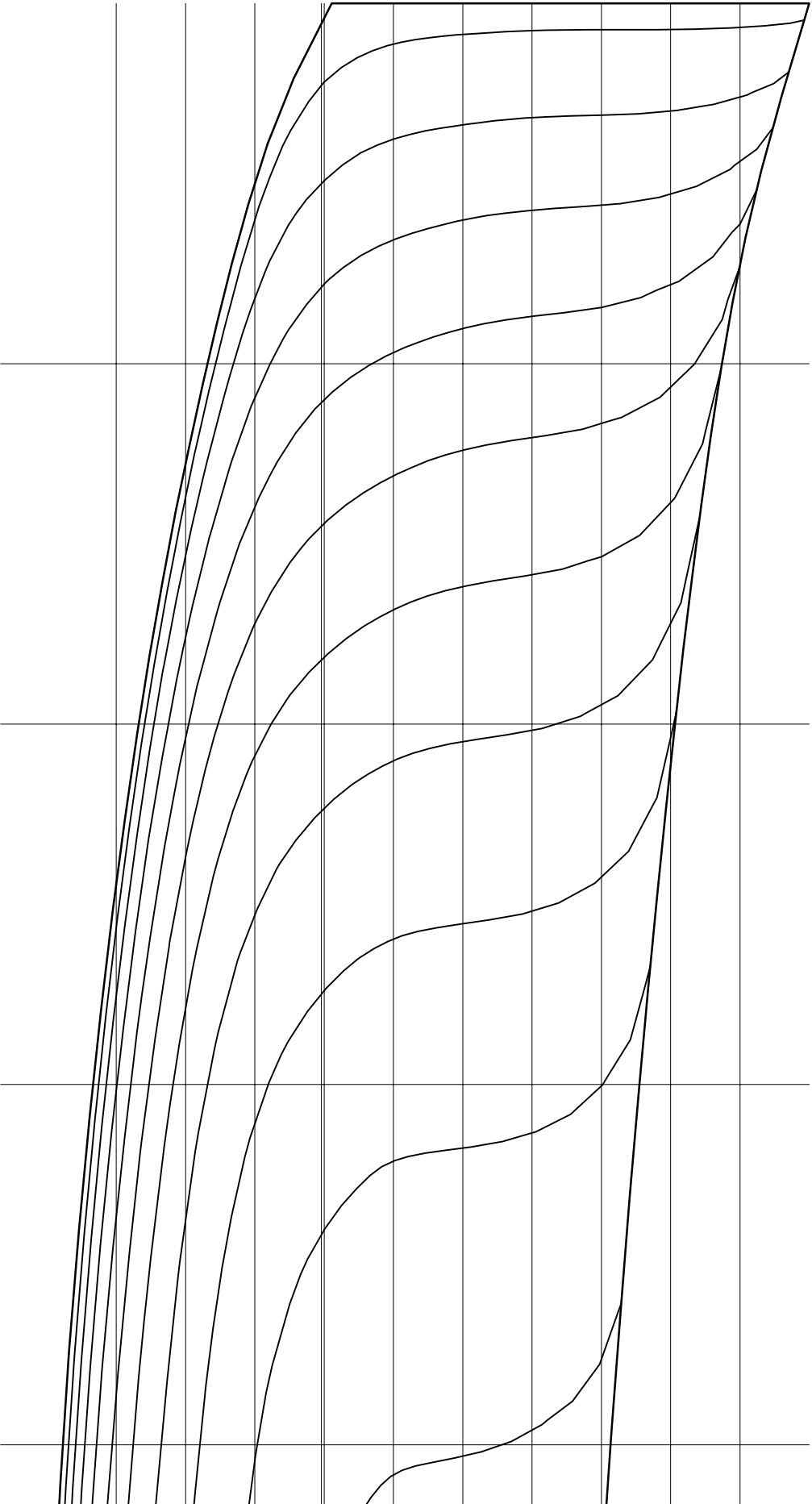
RADIO**SAILING**SHOP.COM.AU





RADIO**SAILING**SHOP.COM.AU

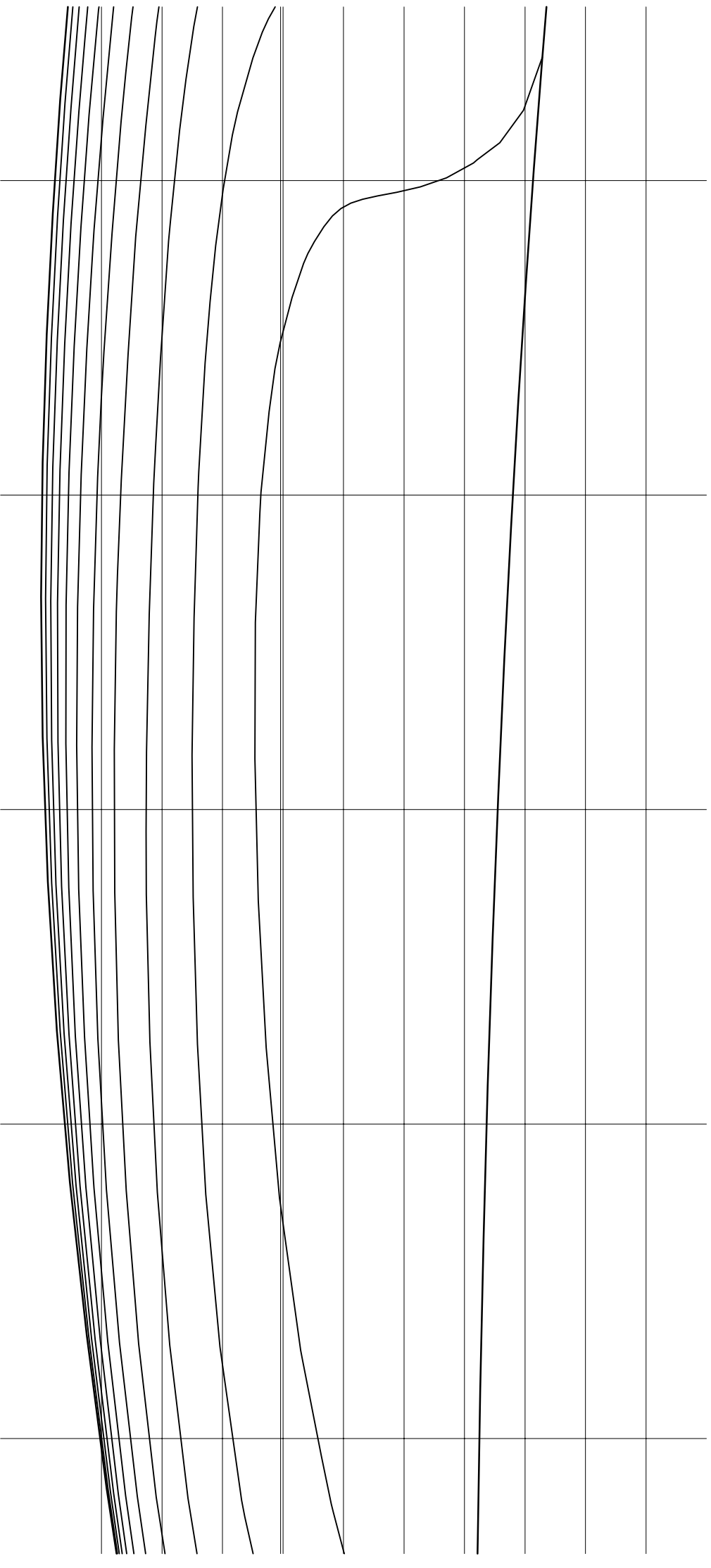




RADIO**S**AILINGSHOP.COM.AU

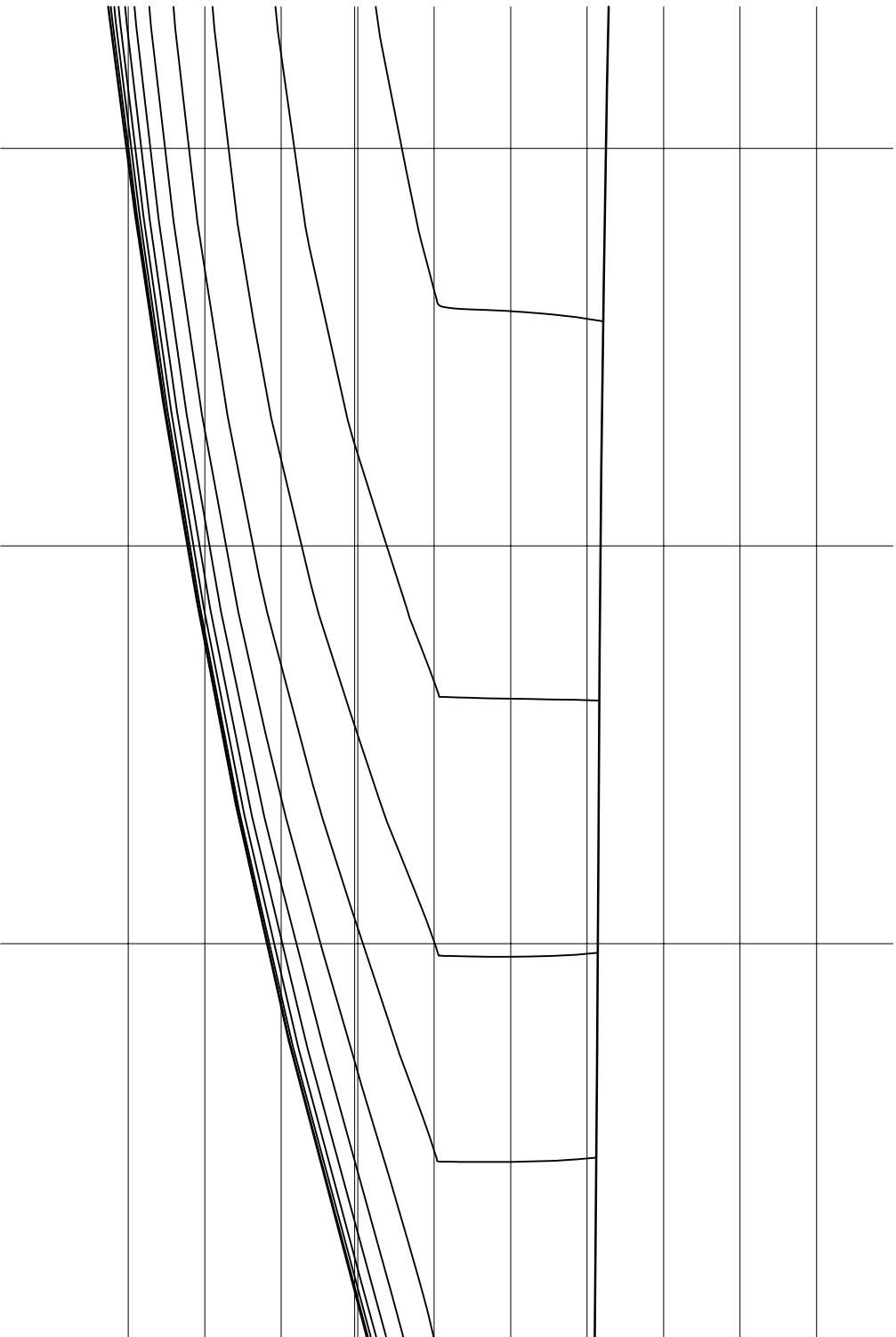


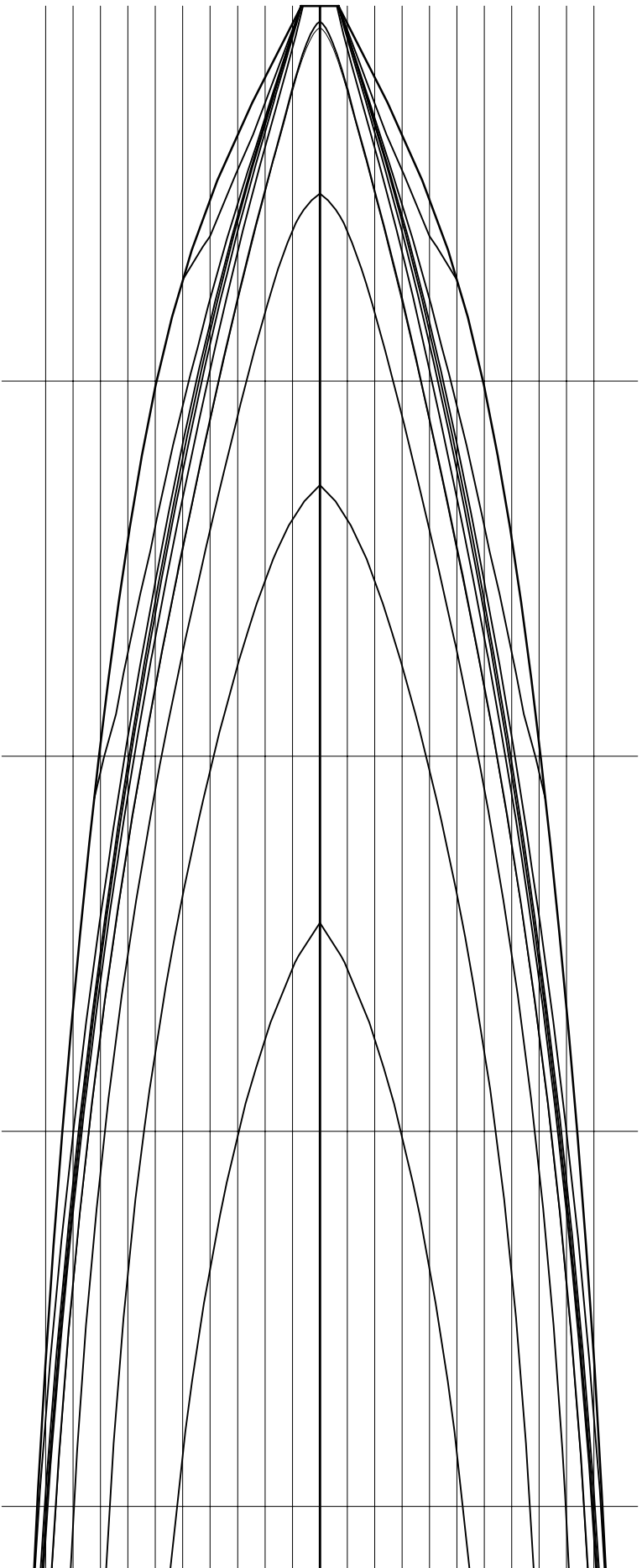
RADIO**SAILING**SHOP.COM.AU





RADIO**SAILING**SHOP.COM.AU

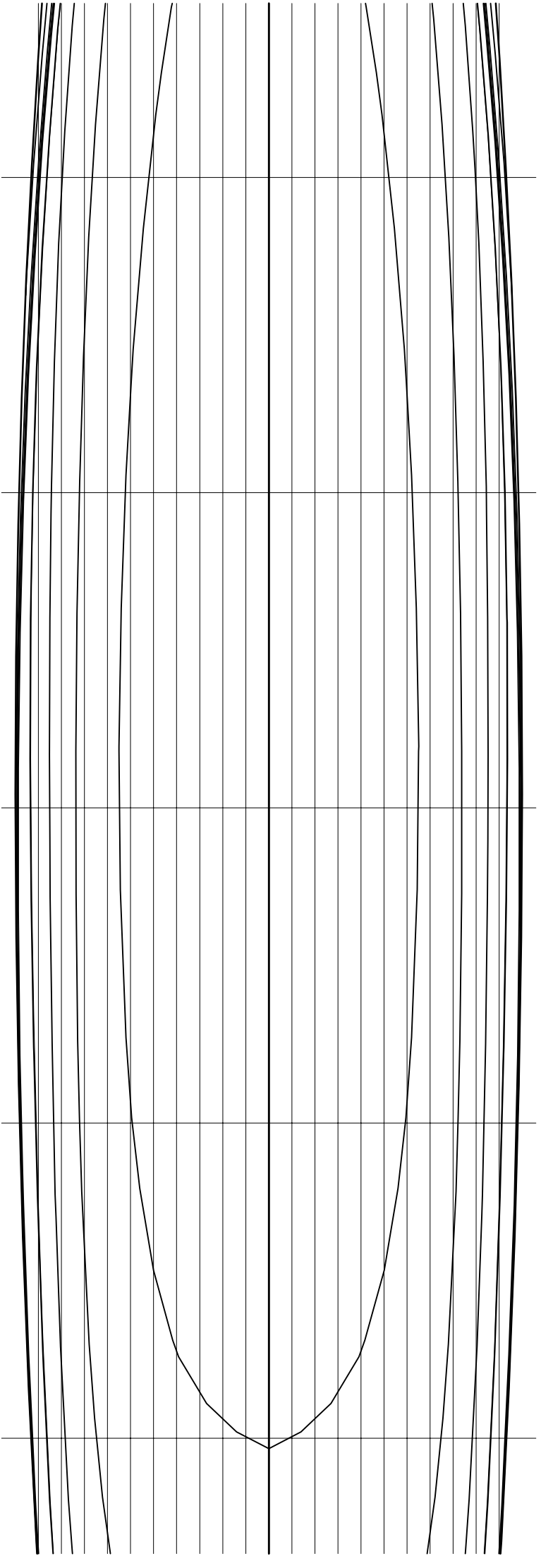


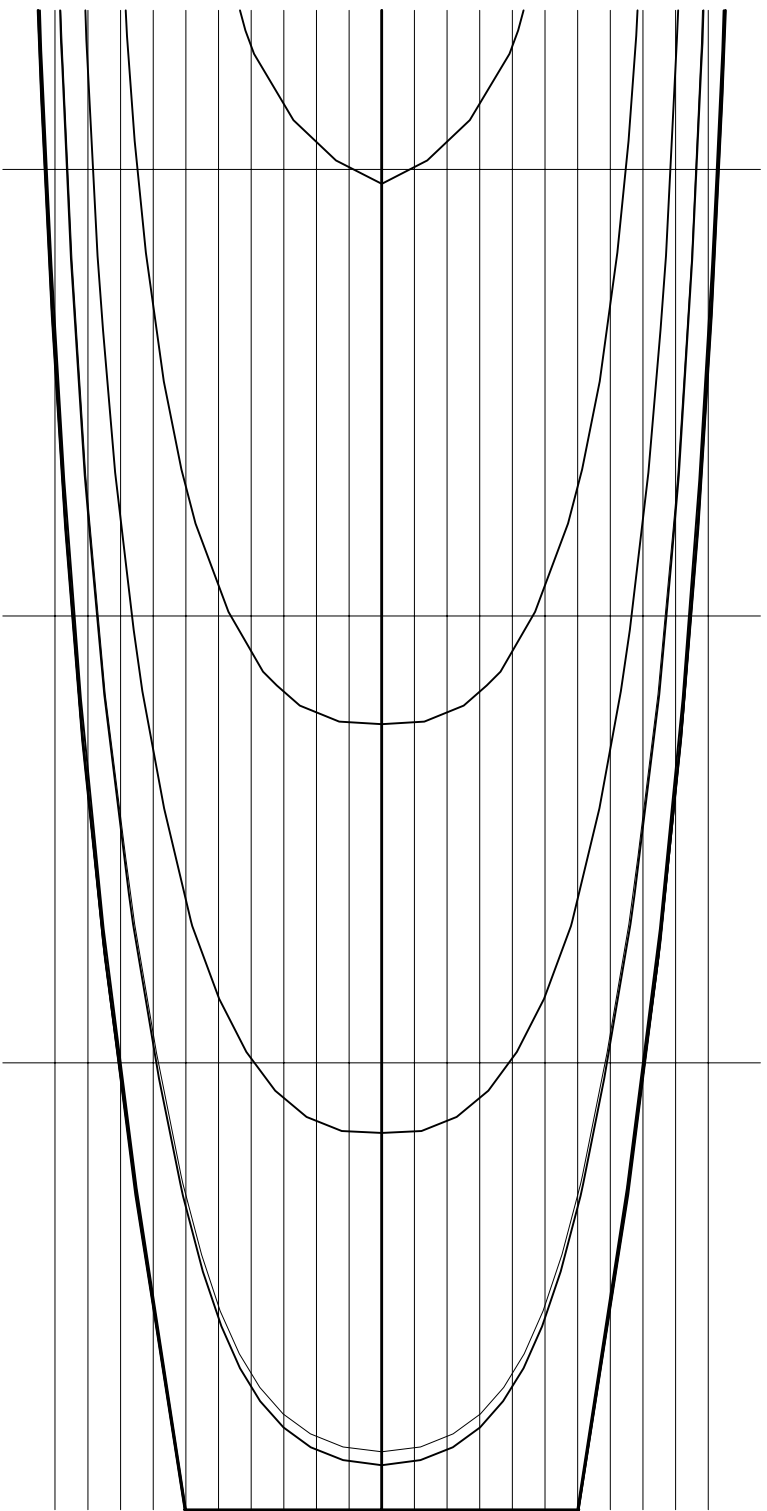


RADIO**SAILING**SHOP.COM.AU



RADIO**SAILING**SHOP.COM.AU





RADIO**SAILING**SHOP.COM.AU